

INSTAL-SERVICE PL

Spółka z ograniczoną odpowiedzialnością
Spółka komandytowa

58-506 Jelenia Góra, ul. Wrocławska 15a

Switchgear type RKS4-1/6 for rated voltage 500V



Switchgear type RKS4-1/6 is an electrical device designed for use in the underground mining pits in non-explosive conditions and on the ground.

Switchgear type RKS4-1/6 is designed for connecting and switching on receivers (especially pumps) in the 3-phase mine grid with insulated star point on the transformer (system IT) of rated grid voltage of 500V.

TECHNICAL DATA:

ingress protection	IP54
supply rated voltage	500VAC, 50Hz
number of 500 V outlets	1
maximum outlet load current	acc. to Table 1
dimensions	
option without through clamps	1600mm x 1000mm x 370mm (H x W x D)
option with through clamps	1800mm x 1000mm x 370mm (H x W x D)
weight	
option without through clamps	90 kg
option with through clamps	110 kg

Table 1

Switchgear type	Maximum outlet rated current [A]	Maximum rated power of the connected receiver [kW]	Rated current of clamps from the supply side (Inz) [A]
	Outlet I	Outlet I	
RKS4-1/6	250	160	400

CONSTRUCTION

The switchgear housing is made of steel sheets. The whole unit is based by a common support frame. The housing is equipped with brackets that allow for the switchgear to be hung on a chain or to be placed directly on the ground.

MODE OF OPERATION

Control of the 500V outlet is carried out by a switch located on the face of the switchgear in two modes: REMOTE and TURNING-ON. Turning the outlet on is only possible if all protections (overload, resistance of the insulation and dry-running) must not be activated and the minimum level must not be reached, and the emergency buttons must not be pressed.

The switchgear is equipped with power protections against short-circuiting, overloading, low insulation resistance and an increase in earth resistance, dry-running. The turning off of the outlet is carried out with control buttons or with the emergency button situated on the face of the switchgear.

SCHEMATIC DIAGRAM

Legend:

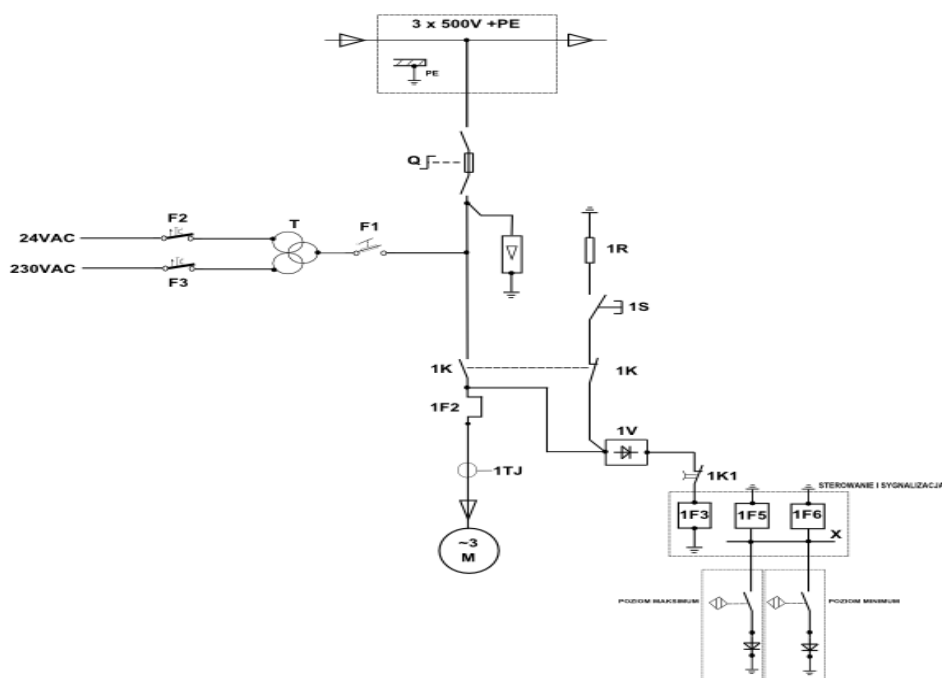
Sterowanie i sygnalizacja - control and signalling

Q - fuse disconnector

1K - contactor

1F2 - overload protection

1F3 - lowering insulation protection



Orders should be submitted in writing or by fax to the address:

Instal-Service PL

Spółka z ograniczoną odpowiedzialnością
Spółka komandytowa

58-506 Jelenia Góra, ul. Wrocławska 15a
tel. (+48 075) 64-57-950
fax. (+48 075) 64-57-951
e-mail: instal@instal-service.pl